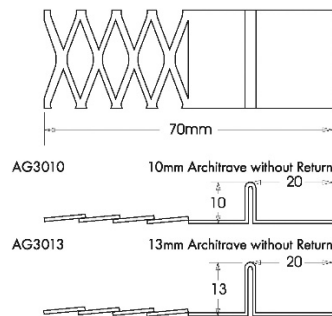


**PRODUCT DATA SHEET**

13mm Galvanised Steel Architrave Bead 3.0M

Item: AG3013W



Description	AG3013W
Specification	Architrave Beads are designed to act as a plaster stop profile whilst creating a shadow-like recess around door frames, ceilings and varying wall finishes. Will also increase the speed of the installation process dramatically.
Product Group	Render & Plaster Bead
Product Category	Architrave Bead
Material	Galvanised Steel
Material Thickness	.45mm
Colour	Mill Finish
Reaction to Fire	D
Length	3m

**Profile Store  
Fab HQ  
Edwin Avenue  
DY11 7RA**

**www.profilestore.co.uk  
info@profilestore.co.uk  
Tel: 0330 0245 230**