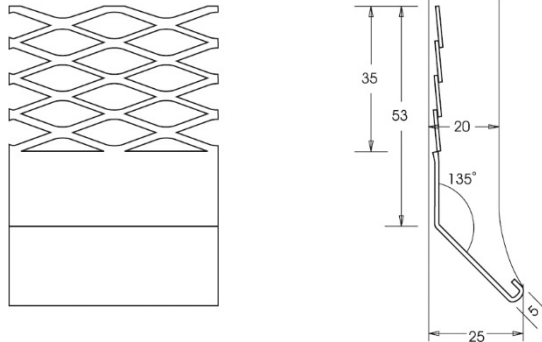


PRODUCT DATA SHEET

20mm Bell Cast Galvanised Steel Stop Bead 3m

Item: BCG



Description	BCG
Specification	The Stop Bead profile provides the ideal answer to finishing the lower edges of render work. The Bell Cast External Render Stop Bead, when used correctly, will assist in creating a finish which will allow the rain water to run off from the surface of the wall.
Product Group	Render & Plaster Bead
Product Category	Stop Bead
Material	Galvanised Steel
Material Thickness	.45mm
Colour	Mill Finish
Reaction to Fire	D
Length	3m

Profile Store
Fab HQ
Edwin Avenue
DY11 7RA

www.profilestore.co.uk
info@profilestore.co.uk
Tel: 0330 0245 230